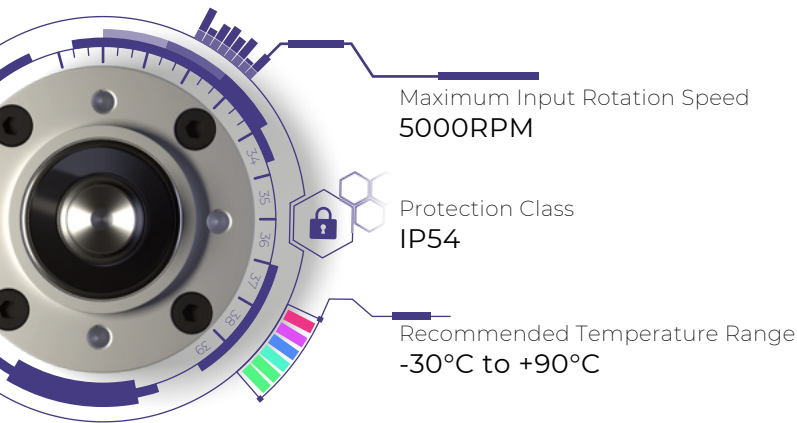


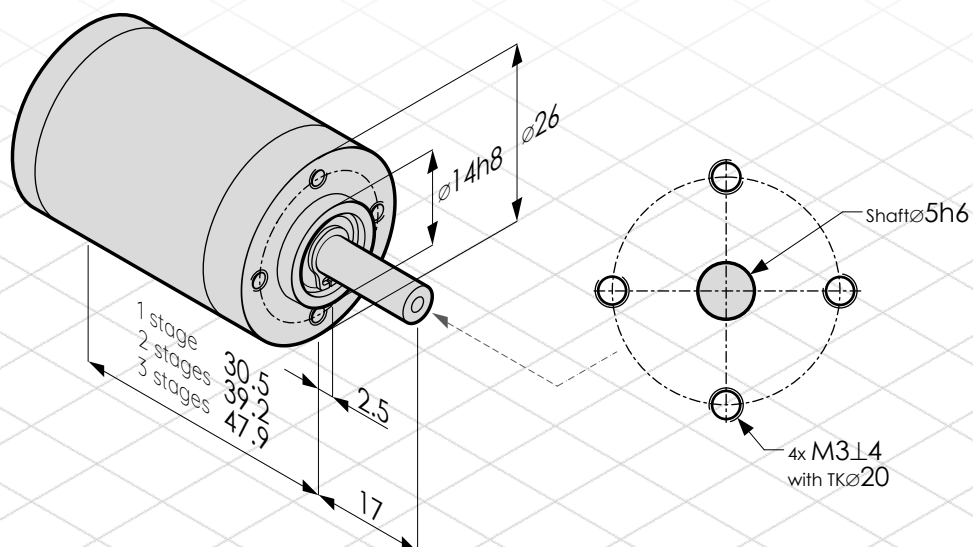
# Planetary Gear

# PH26

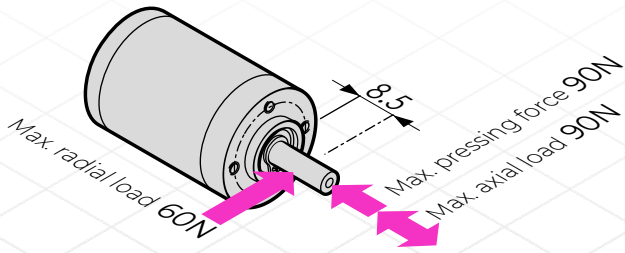


HILBA planetary gears are characterised by a high power-to-weight-ratio. Multi-stage designs allow for high reduction ratios to be achieved in small assembly spaces. The gears are highly efficient and can be operated at high rotational speeds.

	1 stage	2 stages	3 stages
Nominal Torque	0.5 Nm	1 Nm	3 Nm
Efficiency	0.9	0.82	0.75
Backlash (unloaded)	<0.7 degree	<1.4 degree	<2.1 degree
Weight	0.07 kg	0.09 kg	0.12 kg
Reduction ex stock (others on request)	<b>4:1</b> 4.28 <b>5:1</b> 5.18 <b>7:1</b> 6.75	<b>19:1</b> 18.32 <b>35:1</b> 34.96	<b>78:1</b> 78.40 <b>150:1</b> 149.65 <b>181:1</b> 181.10



### Forces at the output shaft



### Motor Mounting

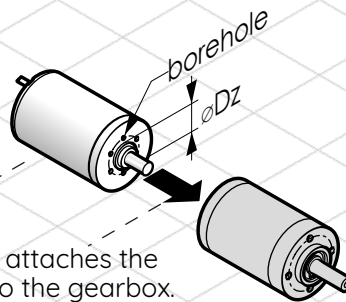
Customer delivers his own motor.



Motor procurement by HILBA.  
Motors of all manufacturers can be fitted.



HILBA attaches the motor to the gearbox.



Mounting flanges available from stock. (others on request)

øDz  
ø10

borehole  
3xM2 on ø17

We develop and produce tailor-made drive solutions even in small quantities with unbeaten short delivery times.

**HILBA**

**Selection**  
Selection of a suitable gear unit

**Adjustment**  
Adjustments until an optimal solution is found

**Shipping**  
Worldwide shipping

**Motor**  
The motor can be delivered or procured by us.

**Implementation**  
Development and manufacture of the final drive system

**Support**  
Support concerning questions and difficulties

## Formula

Overview of your benefits.

Extensive range of gearboxes available from stock.

We mount motors of all manufacturers.

Any conceivable adjustment is possible.

Tailor-made solutions even in small quantities.

Due to in-house production and warehousing we offer unbeaten short delivery times.